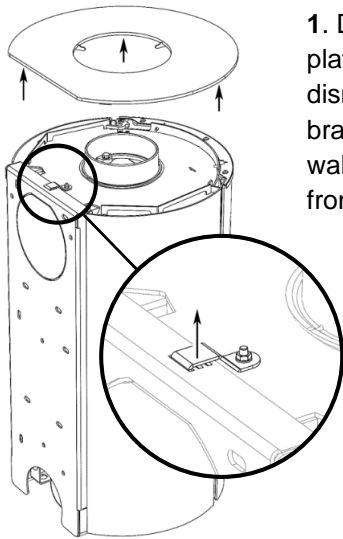


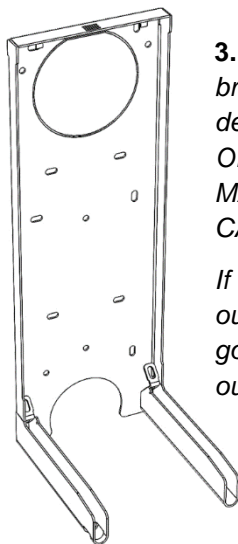
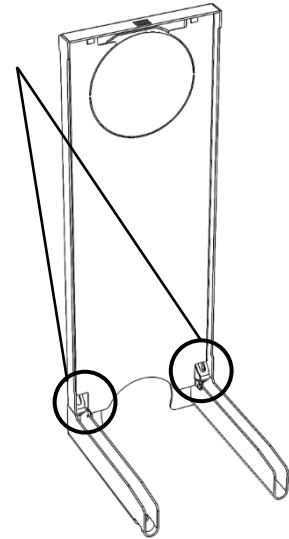
Aduro 22.4 Lux wall mounting



1. Dismount the top plate. Afterwards, dismount the safety bracket and pull the wall bracket away from the stove.

2. Dismount the heat shield.

If using the back outlet, please remove the round circle from the heat shield and the wall bracket.

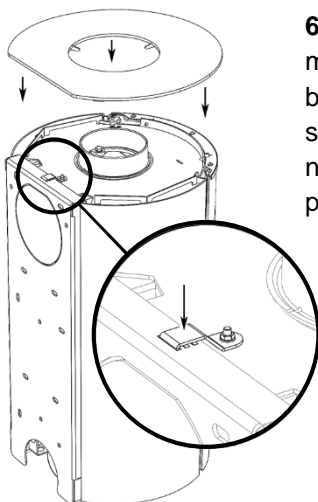
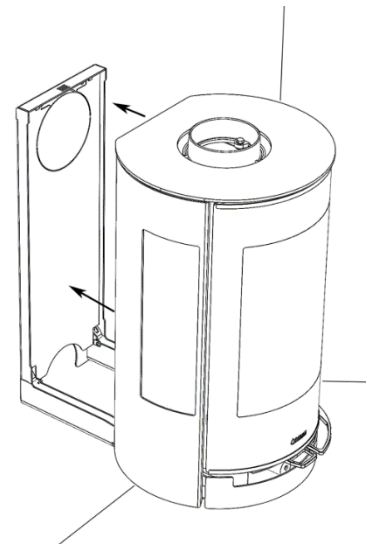


3. Mount the wall bracket securely in the desired position. **ONLY USE FIXING MATERIALS, WHICH CANNOT MELT.**

If using the back outlet, the pipe must go precisely 35 mm out of the wall.

4. **IMPORTANT:** mount the heat shield on the wall bracket again.

5. Place the stove on the lower rails of the bracket and push the stove in place.



6. Secure the stove by mounting the safety bracket on top of the stove again. You can now remount the top plate.

7. Mount the safety plate under the stove.

Note: You will find plate and screws for the assembly in the ashpan.

