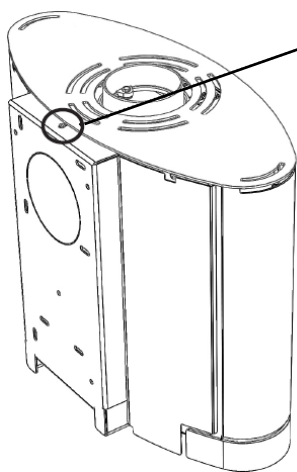


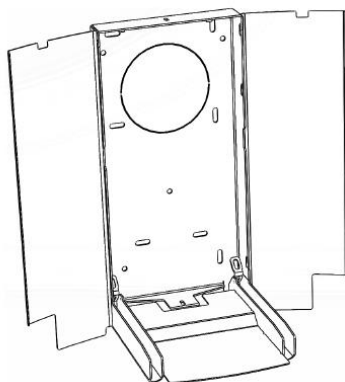
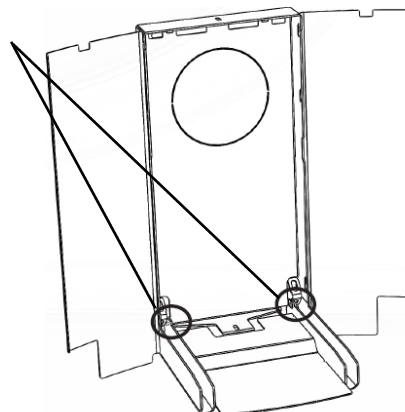
Aduro 15.3 wall mounting



1. Dismount the security screw and pull the wall bracket from the stove.

2. Dismount the heat shield.

If using the back outlet, please remove the round circle from the heat shield and the wall bracket.

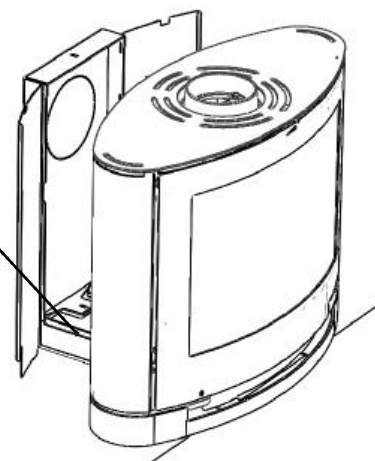


3. Mount the wall bracket securely in the desired position. **ONLY USE FIXING MATERIALS, WHICH CANNOT MELT.**

If using the back outlet, the pipe must go precisely 39 mm out of the wall.

4. **IMPORTANT:** mount the heat shield on the wall bracket again.

5. Place the stove on the lower rails of the bracket and push the stove in place.



6. Secure the stove by mounting one screw on the top and one in the bottom.
Note: You will find the screw for the bottom of the stove in the ashpan.

